



Instruction Manual

Folding Handle Scissors Lift Table

Part Number: 260207 & 260208



Note: Operator MUST read and understand these operating instructions before using this Folding Handle Scissors Lift Table.

TABLE OF CONTENTS

1	General Information	2
1.1	Description.....	2
1.2	Specifications.....	2
2	Safety Information.....	2
3	Assembly.....	3
4	Operation.....	3
5	Maintenance.....	3
6	Trouble Shooting.....	4
7	Hydraulic System Diagram.....	4
8	Handle Part Information.....	5
8.1	Handle Part Diagram.....	5
8.2	Handle Part List.....	5
9	Pump Part Information.....	6
9.1	Pump Part Diagram.....	6
9.2	Pump Part List.....	7
10	General Assembly Part Information.....	8
10.1	General Assembly Part Diagram.....	8
10.2	General Assembly Part List.....	9

ATTENTION: TO INSURE SAFE AND EASY USE OF YOUR SCISSORS LIFT TABLE,
READ THESE INSTRUCTIONS ENTIRELY BEFORE USING.

1. GENERAL INFORMATION

1.1 DESCRIPTION

Thank you for purchasing a Folding Handle Scissor Lift Table. These tables feature a lever release handle, a chrome plated foot pedal and handle and a foot operated pump.

1.2 SPECIFICATIONS

Part Number	260207	260208
Model	SLT-660-11	SLT-1100-11
Capacity	660 lbs	1,100 lbs
Max Lift Height	35"	35"
Min. Left Height	11"	11"
Table Size	32" x 20" x 2"	32" x 20" x 2"
Table Thickness	.12"	.12"
Handle Height	39"	39"
Overall Length	37"	37"
Floor Pedal Cycles to Max Height	≤32	≤45
Wheel Diameter	5"	5"
Working Volume of Oil Cylinder	164 mL	164 mL
Oil Capacity	250 mL	250 mL
Service Weight	165 lbs	187 lbs
Noise Level	>70 dB	>70 dB

Materials and specifications are subject to change without notice.

2. SAFETY INFORMATION

- 1) Read the instruction carefully before operation and get to know the performance and operation requirements of the lift table.
- 2) Do not overload the hydraulic lift table. Overloading will cause damage to the hydraulic lift table.
- 3) It is forbidden for operators to stand or sit on the table during operation.
- 4) Do not insert hands or feet under the lowering table.
- 5) Brake the table when loading goods to prevent it from moving.
- 6) Off-set loading is forbidden when loading goods, goods should be distributed uniformly over the table.
- 7) Loose or unstable goods are not permitted to be loaded.
- 8) The table can't be moved when goods are being lifted.
- 9) The table can only be moved on flat and hard ground, do not use on sloped or rugged ground;
- 10) When putting goods on the table which has been hoisted, the weight of goods should be within rated load.

Note: The safety valve only works in the hoisting process, if the table has been hoisted, and then has overweight load on it, the safety valve will not work (also possibly damaging the unit).

- 11) When loading and unloading goods on hoisted table, don't drag goods in cross direction, which may cause serious off-set loading and make the table turn over.
- 12) When maintaining and repairing the table, the stand bar should be used to support fork arm in order to prevent table from falling (there should be no load on the table).

ATTENTION: TO INSURE SAFE AND EASY USE OF YOUR SCISSORS LIFT TABLE,
READ THESE INSTRUCTIONS ENTIRELY BEFORE USING.

3. ASSEMBLY

Handle Installation: According to the General Assembly Part Diagram (Page 9), fix the handle (1) to mounting hole of the truck body (18) with bolt (64), spring washer (63), flat washer (62), then screw down the bolt (64) with wrench.

Foot Lever Mounting: Insert the foot lever (47) into the hole of the square bar (60), screw in the screw (42), then put in the plain washer (6) and the spring washer (11) respectively and screw down the nut (12).

4. OPERATION

Raise: Step on the foot lever several times to raise the working table.

Lower: Lift the handle knob upward slowly, and open the one-way valve to make the working table descend slowly.

Transportation: Release the brake open before moving the truck.

5. MAINTENANCE

It is very important to conduct necessary maintenance and upkeep so as to prolong the service life and safety of the lift table.

Please check the lift table before operation according to the following items:

- 1) Any distortion or bending of various sections of the lift table.
- 2) Check the brake of the truck and the condition of the wheels.
- 3) Check for oil leakage in the hydraulic system.
- 4) Add or fill lubricant to each friction surface before daily operation.
- 5) If there is any failure, the lift table should be repaired at once, then it can return to operation.
- 6) Change the hydraulic oil every twelve months, choose the following or close brand hydraulic oil according to the climate conditions of different areas:
 - a. YBN32 is adaptive under the environment temperature of -10~+40°C.
 - b. YCN32 is adaptive under the environment temperature of -20~+40°C.
- 7) Hydraulic Oil Change Procedure:
 - a. Screw out the sealing screw 11 of the Pump Part Diagram (Page 6) with wrench.
 - b. Raise the hand knob.
 - c. Twist off screw 36 of the oil plug and fill in hydraulic oil.
- 8) Items 1, 3, 4, 21, 29, 32, 40, 43, 47, 48, 33, 41 and 45 of the Pump Part Diagram (Page 6) are seal components of rubber, polyurethane and nylon. The general service time is two years. After exceeding two years, it will affect the service performance. It is recommended to change them in every two years.

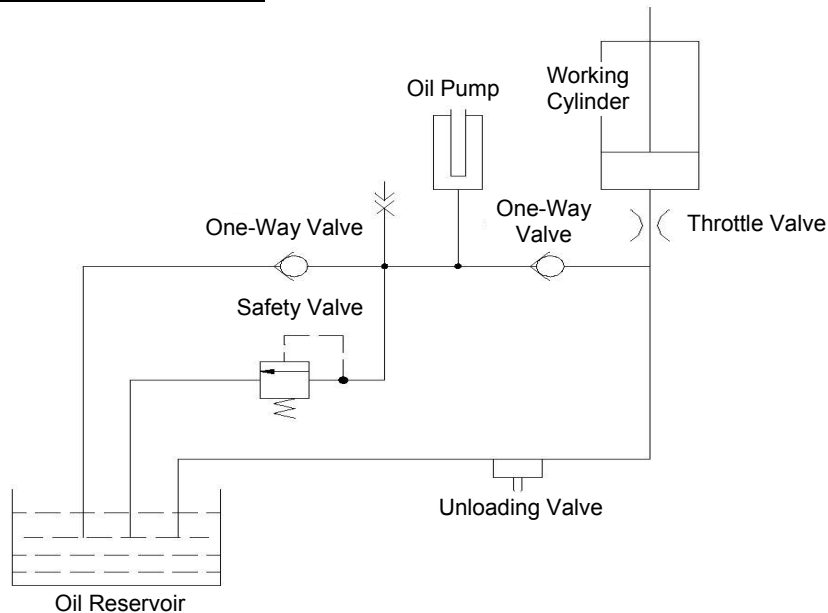
ATTENTION: TO INSURE SAFE AND EASY USE OF YOUR SCISSORS LIFT TABLE,
READ THESE INSTRUCTIONS ENTIRELY BEFORE USING.

6. TROUBLE SHOOTING

No	Problem	Causes	Solutions
1	The table cannot be raised or reach the max. height	<ul style="list-style-type: none"> - Steel Ball (23) of the check-valve is not closed down - Firing pin (28) withstands the steel ball (16) - Short of hydraulic oil 	<ul style="list-style-type: none"> - Clean the valve opening and change the steel ball (23). - Adjust the tension rate of the steel wire rope to set firing pin at suitable place, and add or fill lubricant to the pin roll (30) - Add enough hydraulic oil.
2	The table rises, then descends	<ul style="list-style-type: none"> - Steel ball (23, 24, 16) of the check-valve is not closed down - Firing pin (28) withstands the steel ball (16) 	<ul style="list-style-type: none"> - Clean the valve opening and change the steel ball (23) (24) (16). - Adjust the tension rate of the steel wire rope to make firing pin at suitable place, and add or fill lubricant to the pin roll (30)
3	The table does not descend	-The travel of the firing pin (28) is not enough to open the steel ball (16).	- Adjust the tension rate of the steel wire rope to make firing pin
4	Oil leakage at firing pin.	- The o-ring (29) is damaged.	- Change the o-ring (29)
5	Oil leakage at pump (2), Pup core (5) and piston rod (44)	- The seal rings (1, 3, 47, 48) are damaged.	- Change the seal rings (1, 3, 47, 48).

NOTE: DO NOT ATTEMPT TO REPAIR THE SCISSOR TABLE UNLESS YOU ARE TRAINED AND AUTHORIZED TO DO SO.

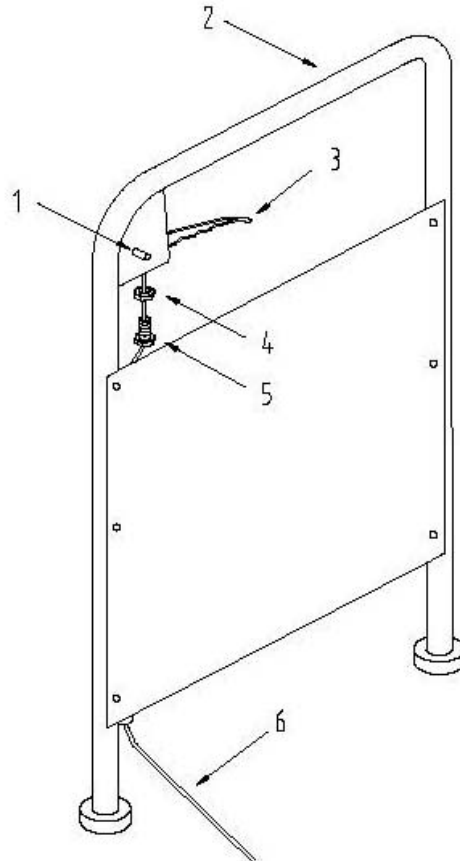
7. HYDRAULIC SYSTEM DIAGRAM



ATTENTION: TO INSURE SAFE AND EASY USE OF YOUR SCISSORS LIFT TABLE,
 READ THESE INSTRUCTIONS ENTIRELY BEFORE USING.

8. HANDLE PART INFORMATION

8.1 HANDLE PART DIAGRAM



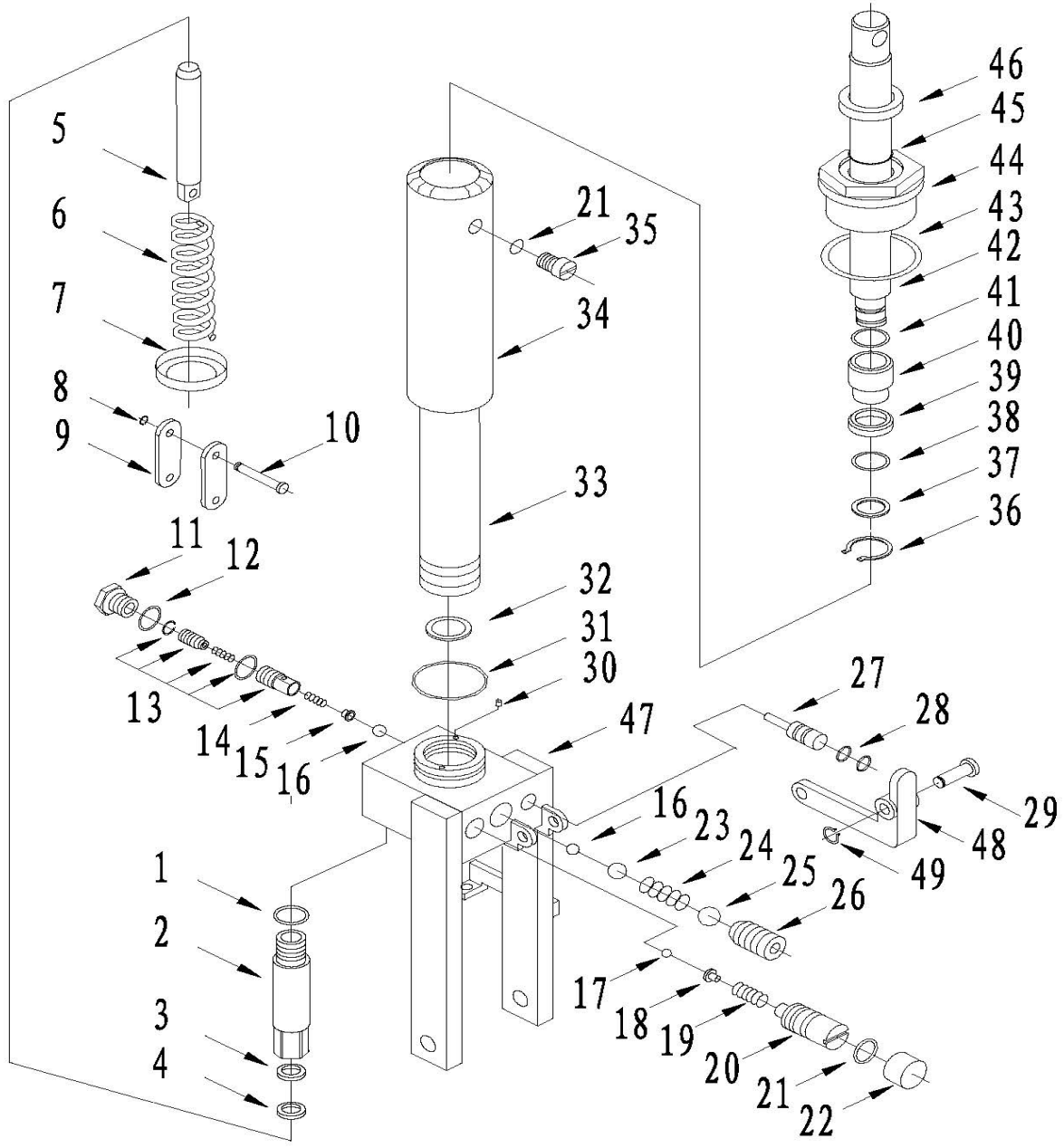
8.2 HANDLE PART LIST

Item	Part Number	Item Description	Qty.
1		Spring Pin 6 x 30	1
2		Handle Bar	1
3		Knob	1
4		Nut M8	1
5		Screw	1
6		Pull Rod	1

ATTENTION: TO INSURE SAFE AND EASY USE OF YOUR SCISSORS LIFT TABLE,
 READ THESE INSTRUCTIONS ENTIRELY BEFORE USING.

9. PUMP PART INFORMATION

9.1 PUMP PART DIAGRAM



ATTENTION: TO INSURE SAFE AND EASY USE OF YOUR SCISSORS LIFT TABLE,
READ THESE INSTRUCTIONS ENTIRELY BEFORE USING.

9. PUMP PART INFORMATION

9.2 PUMP PART LIST

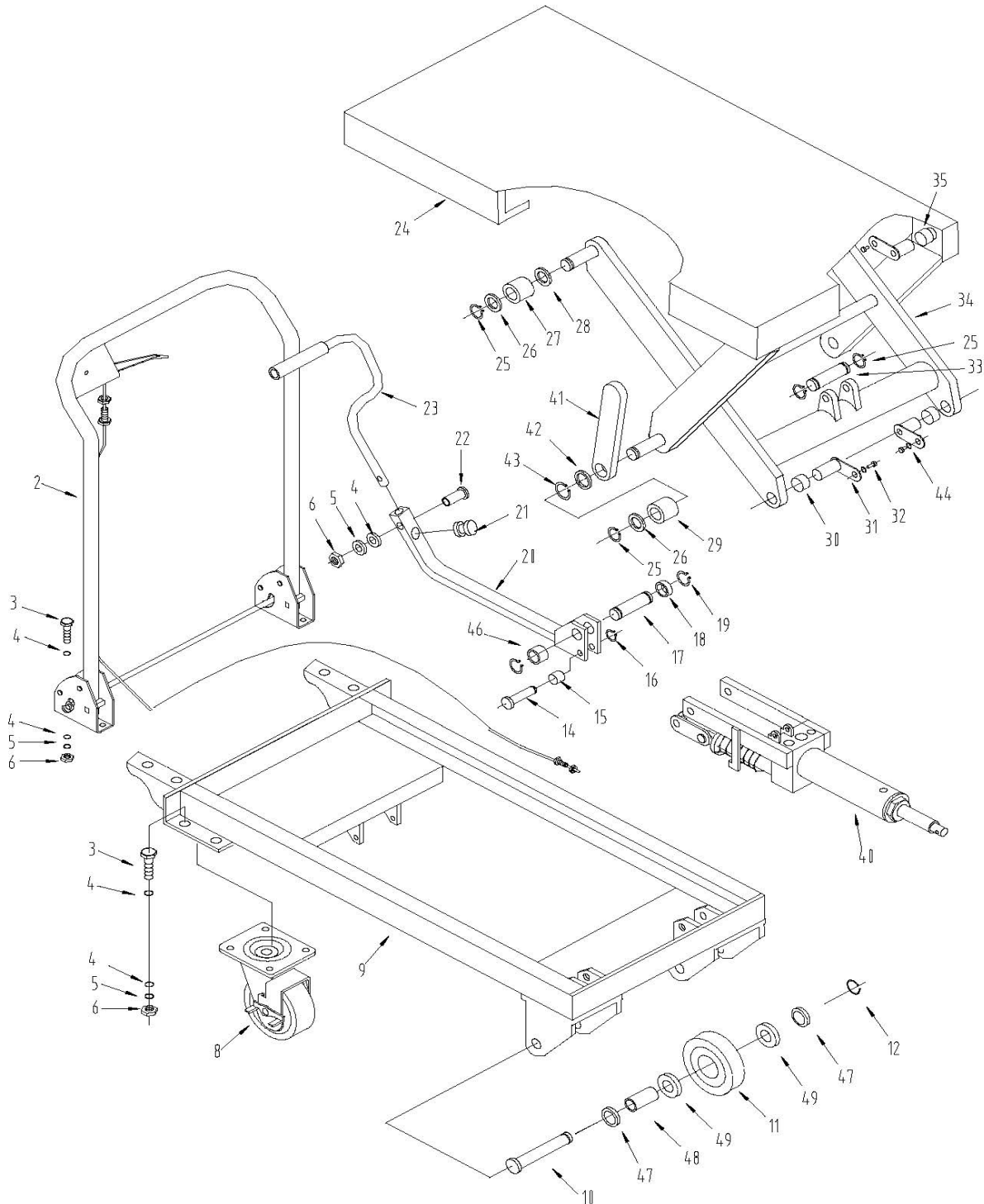
Item	Part Number	Item Description	Qty.
	260230	Complete Pump Replacement (For 260207 Only)	1
	260232	Complete Pump Replacement (For 260208 Only)	1
	260231	Full Set of Seal Kits (For 260207 Only)	1
	260233	Full Set of Seal Kits (For 260208 Only)	1
1		O-Ring	1
2		Pump Cylinder (260207)	1
		Pump Cylinder (260208)	1
3		YX-Seal Ring (260207)	1
		YX-Seal Ring (260208)	1
4		Dust Ring (260207)	1
		Dust Ring (260208)	1
5		Pump Plunger (260207)	1
		Pump Plunger (260208)	1
6		Spring	1
7		Spring Seat	1
8		Retaining Ring for Axle 10	1
9		Joint Plate	2
10		Pin	1
11		Screw	1
12		Copper Washer 20	1
13		Damp Valve	1
14		Spring	1
15		Spring Seat	1
16		Steel Ball 6.35	2
17		Steel Ball 4.5	1
18		Spring Seat	1
19		Spring	1

Item	Part Number	Item Description	Qty.
20		Adjusting Screw	1
21		O-Ring 7.5 x 2.65	2
22		Cover Ring	1
23		Steel Ball 9.5	1
24		Spring	1
25		Steel Ball ½ (12.7)	1
26		Screw M16 x 18	1
27		Strike Pin	1
28		O-Ring 6.9 x 1.8	2
29		Shaft	1
30		Filter	1
31		O-Ring 65 x 3.55	1
32		Rectangular Ring Section	1
33		Cylinder	1
34		Housing	1
35		Screw	1
36		Retaining Ring for Axle 25	1
37		Washer	1
38		O-Ring 33.5 x 3.55	1
39		Cup Packing	1
40		Bush	1
41		O-Ring 20 x 2.65	1
42		Piston Rod	1
43		Rectangular Section Sealing	1
44		Cylinder Cap	1
45		O-Ring 31.5 x 3.55	1
46		J Shaped Steel Frame Rubber Sealing 32 x 45 x 6.5	1
47		Base	1
48		Lever Plate	1
49		Retaining Ring for Axle 8	1

ATTENTION: TO INSURE SAFE AND EASY USE OF YOUR SCISSORS LIFT TABLE,
 READ THESE INSTRUCTIONS ENTIRELY BEFORE USING.

10. GENERAL ASSEMBLY INFORMATION

10.1 GENERAL ASSEMBLY PART DIAGRAM



ATTENTION: TO INSURE SAFE AND EASY USE OF YOUR SCISSORS LIFT TABLE,
READ THESE INSTRUCTIONS ENTIRELY BEFORE USING.

10. GENERAL ASSEMBLY PART INFORMATION

10.2 GENERAL ASSEMBLY PART LIST

Item	Part Number	Item Description	Qty.
2		Handle Bar	1
3		Bolt M8 x 25	12
4		Washer 8	25
5		Washer 8	13
6		Nut M8	13
8	260238	Universal Wheel 5"	2
9		Frame	1
10		Shaft	2
11	260298	Wheel 5"	2
12		Retaining Ring for Axle 12	2
14	260280	Shaft	1
15	260281	Roller	1
16	260282	Retaining Ring for Axle 10	1
17	260283	Pin	1
18	260284	Bushing	1
19	260285	Retaining Ring for Axle 20	2
20	260286	Pump Arm	1
21	260287	Bumper	1
22		Bolt M8 x 30	1
23		Pedal Bar	1
24		Table	1
25		Retaining Ring for Axle 16	6
26		Washer 16	4
27		Washer	2
28		Washer	2
29		Roller	2
30		Bush	2
31		L-Pin	4
32		Bolt M6 x 10	4
33		Shaft	1
34		Arm	1
35		Bush	2
40		Pump	1
41		Support	2
42		Washer	2
43		Retaining Ring for Axle 24	2
44		Washer 6	4
46	260288	Bushing	1
47		Bush	4
48		Hollow Shaft	2
49	260299	Bearing 6203	4